

Modular junction box

340001 (PYEX-EP-JB-12-P)



TRACELEC 
HEATING SOLUTIONS

340001 (PYEX-EP-JB-12-P)

MODULAR JUNCTION BOX

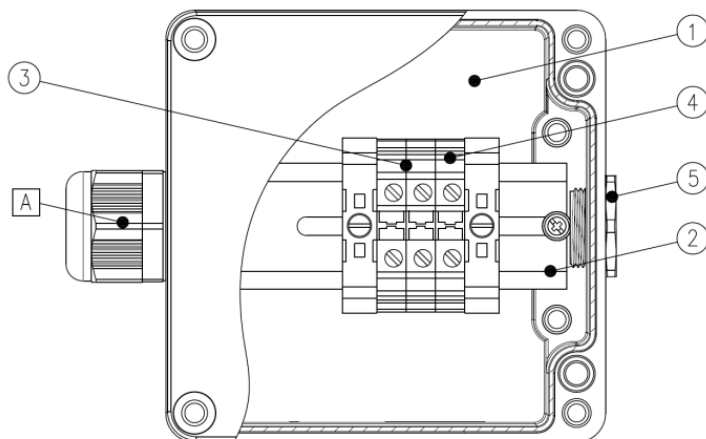
1. DESCRIPTION



Modular junction box for all types of self-regulating heating cables. Approved to be installed in corrosive environments and ATEX classified areas.

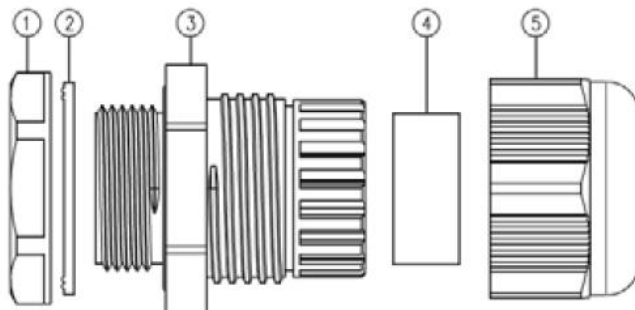
It is designed to connect power to up to two (2) heating cables.

2. CONSTRUCTION



Components		
No.	Description	Amount
1	Ex certified enclosure	1
2	DIN-Rail	1
3	Power terminals	2
4	Earth terminals	1
5	ATEX plug	2
A	Gland	1

A: Nylon cable gland reinforced with fiberglass



Components		
No.	Description	Amuont
1	Nut	1
2	Gasket	1
3	Gland body	1
4	Seal	1
5	Clamping nut	1

340001 (PYEX-EP-JB-12-P)

MODULAR JUNCTION BOX

3. FEATURES

Ex approved connection system designed and manufactured to comply with all the requirements of the relevant international standards for electric heat tracing systems, both in construction and industrial fields.

It is made of fiberglass reinforced polyester for maximum thermal and mechanical resistance.

La superficie de la caja de conexión es resistente a los rayos UV, además de ser conductora de electricidad (menos de $10^9 \Omega$) para reducir el riesgo de peligro estático. Cada kit incluye una caja de conexión IP66.

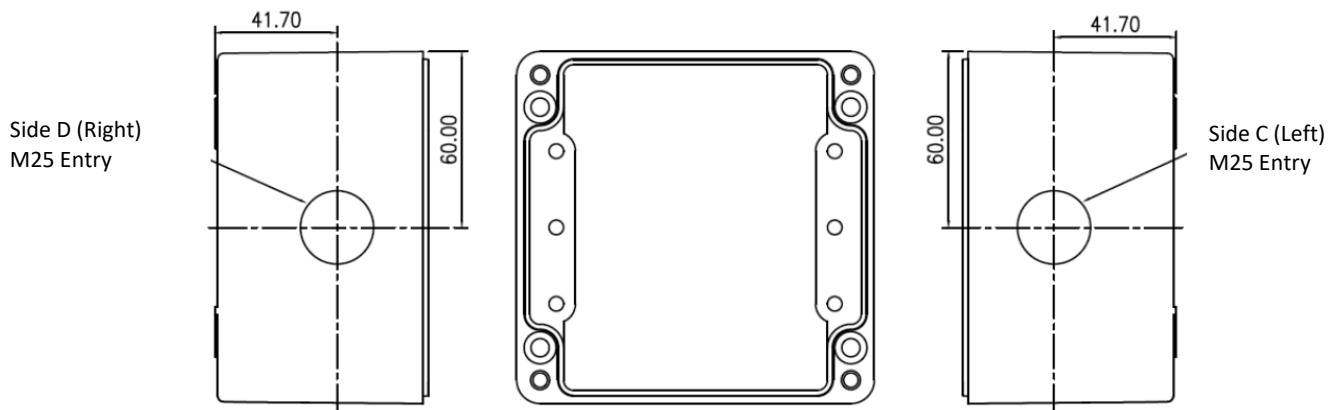
4. SPECIFICATIONS

Description	Data
Entries	2 x M25
Max. operating voltage	277 V
Max. operating current	50 A
Protection level	Ex eb IIC Gb
Ingress protection	IP66
Ambient temperature range	-50 °C ~ 50 °C
Impact resistance	7 J
Surface resistance	$< 10^9 \Omega$
Flammability	Fiberglass reinforced polyester
Material	UV resistant Graphite black
Color	Fiberglass reinforced polyester
Max. conductor cross section	10 mm ²
Gasket and seal	Flame resistant silicone
Certifications	ATEX, IECEx
Standards	IEC60079-0 IEC60079-7 IEC60529 IEC60079-30-1

340001 (PYEX-EP-JB-12-P)

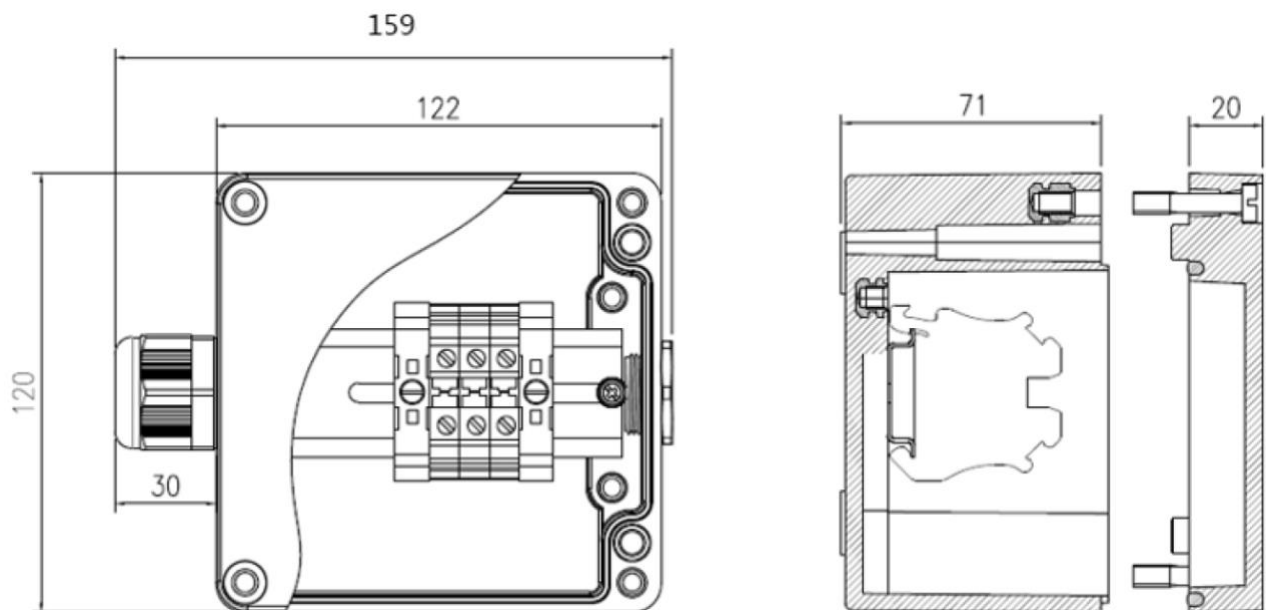
MODULAR JUNCTION BOX

5. HOLE LOCATIONS



* Dimensions in millimeters (mm).

6. DIMENSIONS



* Dimensions in millimeters (mm).



TRACELEC
HEATING SOLUTIONS

c/ Josep V. Foix 10 · 43007 Tarragona · Spain
+34 977 290 039 · ofertas@tracelec.es
www.tracelec.es