

Integrated junction box

33001 (PYEX-EP-JBP-12-P)



33001 (PYEX-EP-JBP-12-P)

INTEGRATED JUNCTION BOX

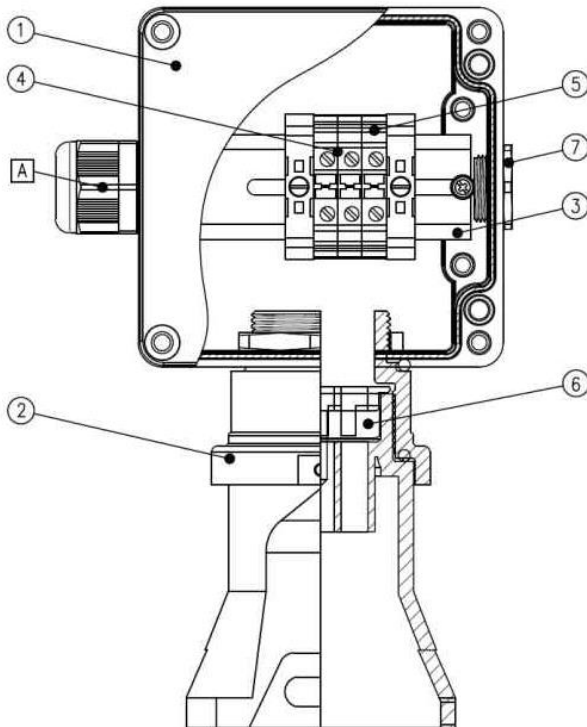
1. DESCRIPTION



Junction box for installation in corrosive environments compatible with all types of self-regulating heating cables. It is approved for use in ordinary and ATEX areas.

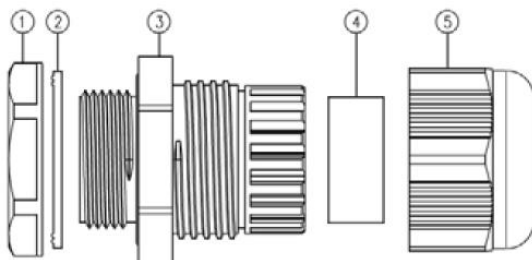
It is designed to connect a heating cable to power network or to splice two heating cables.

2. CONSTRUCTION



Components		
No.	Description	Amount
1	Ex certified enclosure	1
2	Pipe support stand	1
3	DIN-Rail	1
4	Power terminals	2
5	Earth terminals	1
6	SR cable seal	1
7	ATEX plug	1

A: Nylon cable gland reinforced with fiberglass



Components		
No.	Description	Amount
1	Description	1
2	Nut	1
3	Gasket	1
4	Gland body	1
5	Seal	1

33001 (PYEX-EP-JBP-12-P)

INTEGRATED JUNCTION BOX

3. FEATURES

Ex certified multiple entry connection system designed and manufactured in accordance with all international standards for electric heat tracing systems.

It is made of fiberglass reinforced polyester to offer maximum resistance, both thermal and mechanical.

The box enclosure is UV resistant and electrically conductive (<109 Ω) to reduce the risks of static hazard. Each kit includes an IP66 junction box and a pipe support stand.

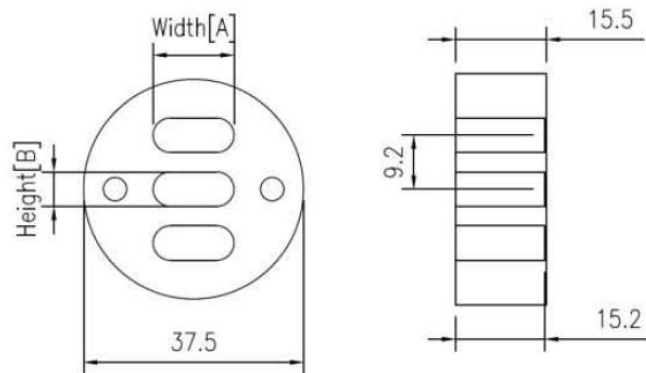
4. SPECIFICATIONS

Description	Data
Entries	2 x M25 + 1 heating cable
Max. operating voltage	277 V
Max. operating current	50 A
Protection level	Ex eb IIC Gb
Ingress protection	IP66
Ambient temperature range	-50 °C ~ 50 °C
Impact resistance	7 J
Surface resistance	< 10 ⁹ Ω
Flammability	UL 94/V-0, self-extinguishing
Material	Fiberglass reinforced polyester UV resistant
Color	Graphite black
Max. conductor cross section	10 mm ²
Gasket and seal	Flame resistant silicone
Certifications	ATEX, IECEx
Standards	IEC60079-0 IEC60079-7 IEC60529 IEC60079-30-1

33001 (PYEX-EP-JBP-12-P)

INTEGRATED JUNCTION BOX

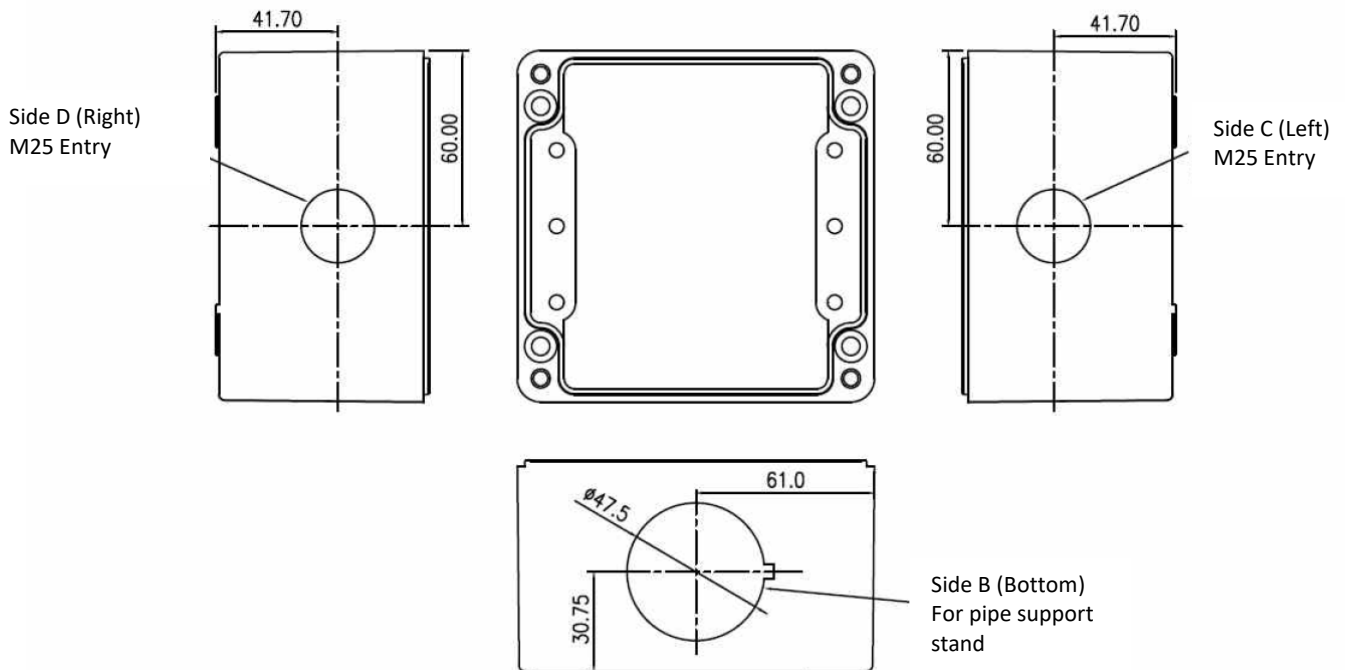
5. SEAL FOR HEATING CABLE



JB Reference	Width (A)	High (B)	Cables
330011	11.1	5.6	11A102, 11A162, 11A242, 11B102, 11B162, 11B242, 11C102, 11C162, 11C242
330012	12.1	4.6	11E, 11F
330013	12.7	5.2	11D152, 11D302, 11D452
330014	13.6	5.6	11A302, 11B302, 11C302
330015	14.3	5.4	11D602

* Dimensions in millimeters (mm).

6. HOLE LOCATIONS

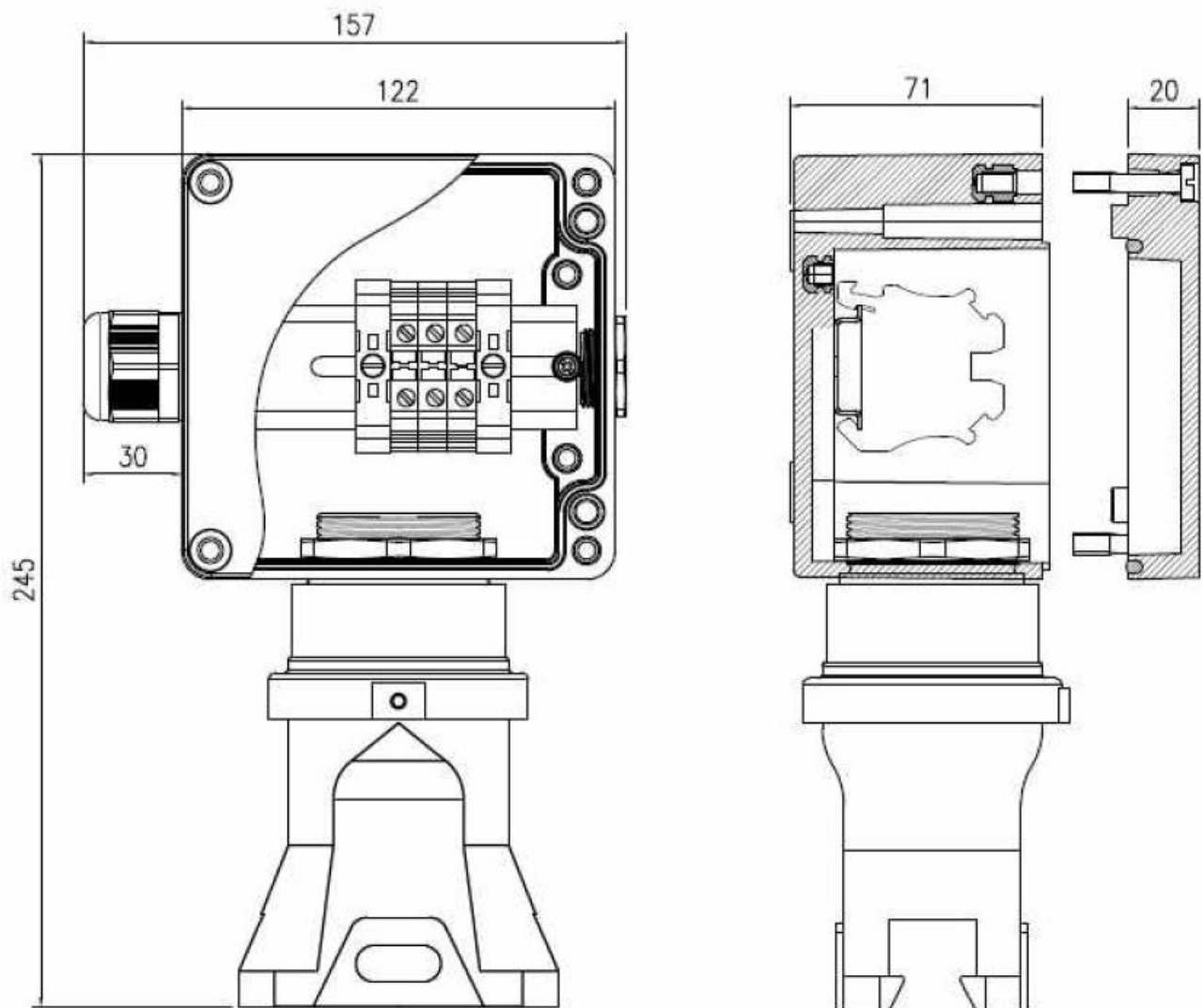


* Dimensions in millimeters (mm).

33001 (PYEX-EP-JBP-12-P)

INTEGRATED JUNCTION BOX

7. DIMENSIONS



* Dimensions in millimeters (mm).



TRACELEC
HEATING SOLUTIONS

c/ Josep V. Foix 10 · 43007 Tarragona · Spain
+34 977 290 039 · ofertas@tracelec.es
www.tracelec.es