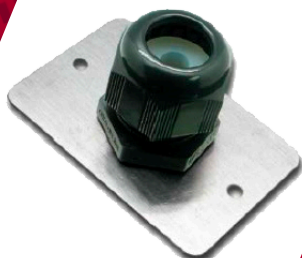


# Insulation entry kit m25

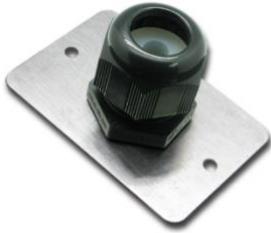
230011



# 230011

## M25 INSULATION ENTRY KIT

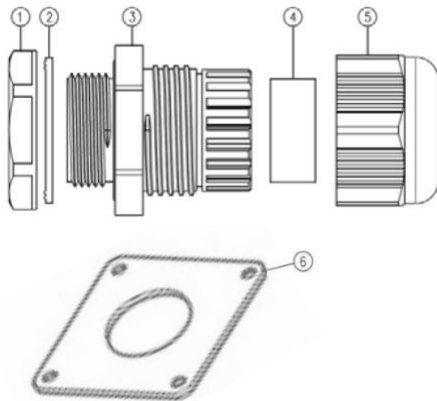
### 1. DESCRIPTION



Insulation entry kit for protection and sealing of heating cables for pipes, tanks and/or equipment.

This kit is valid for self-regulating and/or constant power heating cables.

### 2. CONSTRUCTION



Components		
No.	Description	Amount
1	Nut	1
2	Gasket	1
3	Gland body	1
4	Seal	1
5	Clamping nut	1
6	Mounting plate, stainless steel	1

### 3. FEATURES

The insulation entry kit provides a heating cable entry through an existing thermal insulation and lagging system. It is valid for self-regulating and/or constant power heating cables.

These kits can be used in both ordinary and hazardous locations.

Gland thread prevents the entry of water under the plate. Mounting plate must be secured with screws on the lagging material.

### 4. SPECIFICACIONES

Description	Data
Minimum ambient temperature	-40 °C
Maximum exposure temperature	110 °C
Thread size	Gland: M25 x 1,5 Mounting plate: 60x60mm, thickness 1mm
Material	Gland: fiberglass reinforced nylon Mounting plate: stainless steel



**TRACELEC**  
HEATING SOLUTIONS

c/ Josep V. Foix 10 · 43007 Tarragona · Spain  
+34 977 290 039 · ofertas@tracelec.es  
www.tracelec.es