



# Atex cable gland for self regulating cable

25001 (PYEX-EP-PG25)



# 25001 (PYEX-EP-PG25)

ATEX CABLE GLAND FOR SELF REGULATING CABLE

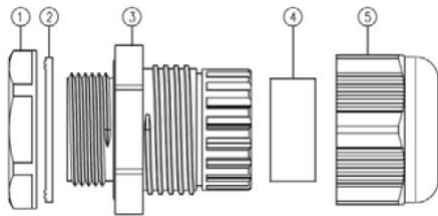
## 1. DESCRIPTION



Cable gland to run heat trace heating cable into the junction box.

## 2. CONSTRUCTION

Cable gland for heat trace heating cable



Components		
No.	Description	Amount
1	Nut	1
2	Gasket	1
3	Gland body	1
4	Seal	1
5	Clamping nut	1

## 3. FEATURES

The cable gland is designed to run all types of self-regulating cables (11A, 11B, 11C, 11D, 11E and 11F) into the junction box.

IM25 Ex cable gland is ATEX and IECEx certified, so it can be used in hazardous locations. It is made of fiberglass reinforced nylon for thermal and mechanical resistance. The seal must be selected according to the datasheet for a correct sealing with the corresponding heating cable.

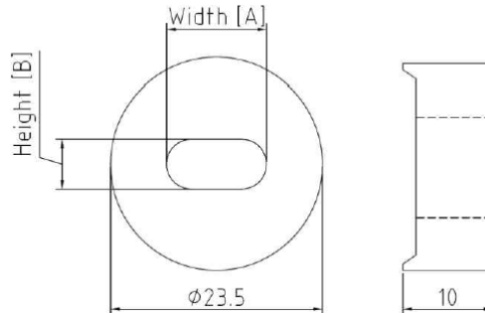
## 4. SPECIFICACIONES

Description	Data
Protection level	Ex eb IIC Gb
Protection class	IP66
Min. ambient temperature	-40 °C
Max. exposure temperature	110 °C
Thread size	M25 x 1,5
Material	Fiberglass reinforced nylon
Standards	IEC60079-0 IEC60079-7 IEC60529 IEC60079-30-1

# 25001 (PYEX-EP-PG25)

ATEX CABLE GLAND FOR SELF REGULATING CABLE



## 5. SEAL FOR HEATING CABLE



JB Reference	Width (A)	High (B)	Cables
210021	11.1	5.6	11A102, 11A162, 11A242, 11B102, 11B162, 11B242, 11C102, 11C162, 11C242
210022	12.1	4.6	11E, 11F
210023	12.7	5.2	11D152, 11D302, 11D452
210024	13.6	5.6	11A302, 11B302, 11C302
210025	14.3	5.4	11D602

\* Dimensions in mm

## 6. CERTIFICACIONES / APPROVALS

Certification	Certification no.
	Baseefa15ATEX0109X
	IECEx CML 16.0088U



**TRACELEC**  
HEATING SOLUTIONS

c/ Josep V. Foix 10 · 43007 Tarragona · Spain  
+34 977 290 039 · ofertas@tracelec.es  
www.tracelec.es